

The Guarantee

Atco-Qualcast guarantees this product against manufacturing defects. We will repair (or replace at our option) if a manufacturing defect occurs within the guarantee period as long as it has only been subjected to domestic use.

For the purpose of this guarantee, domestic use means any use of the product on the property belonging to the purchaser forming part of the garden area of his/her dwelling.

The guarantee period is 5 years for parts and 1 year for labour costs from date of purchase.

To obtain a repair under this guarantee:-

- Take your lawnmower to an Approved Service Agent
- Show your dated proof of purchase.
- Show this guarantee page.

This guarantee does not apply if:-

- You cannot provide dated proof of purchase.
- The product has been resold by the original purchaser (this does not apply in the Republic of Ireland), or has been used under hire.
- The product has been modified, change the manufacturer's specification, or if non-genuine parts have been fitted.



Environmental Protection

Your product has been manufactured under an environmental management system using where possible the most environmentally responsible materials and processes, and with the potential for recycling at the end of its life. The packaging is also recyclable. When the time comes to dispose of this product please consider the environment and take it to a recognised recycling facility. (Please contact your Local Authority for more information.)

- iv) If any previous repair was undertaken by anyone other than an Approved Service Agent.
- v) The fault is due to maladjustment, abuse, neglect or accidental damage.
- vi) The fault is due to lack of lubrication or routine maintenance as recommended.
- vii) Damage to any part particularly the drive or cutting/raking mechanism has been caused by allowing the product to strike solid objects.
- viii) The product develops a fault due to abnormal use.

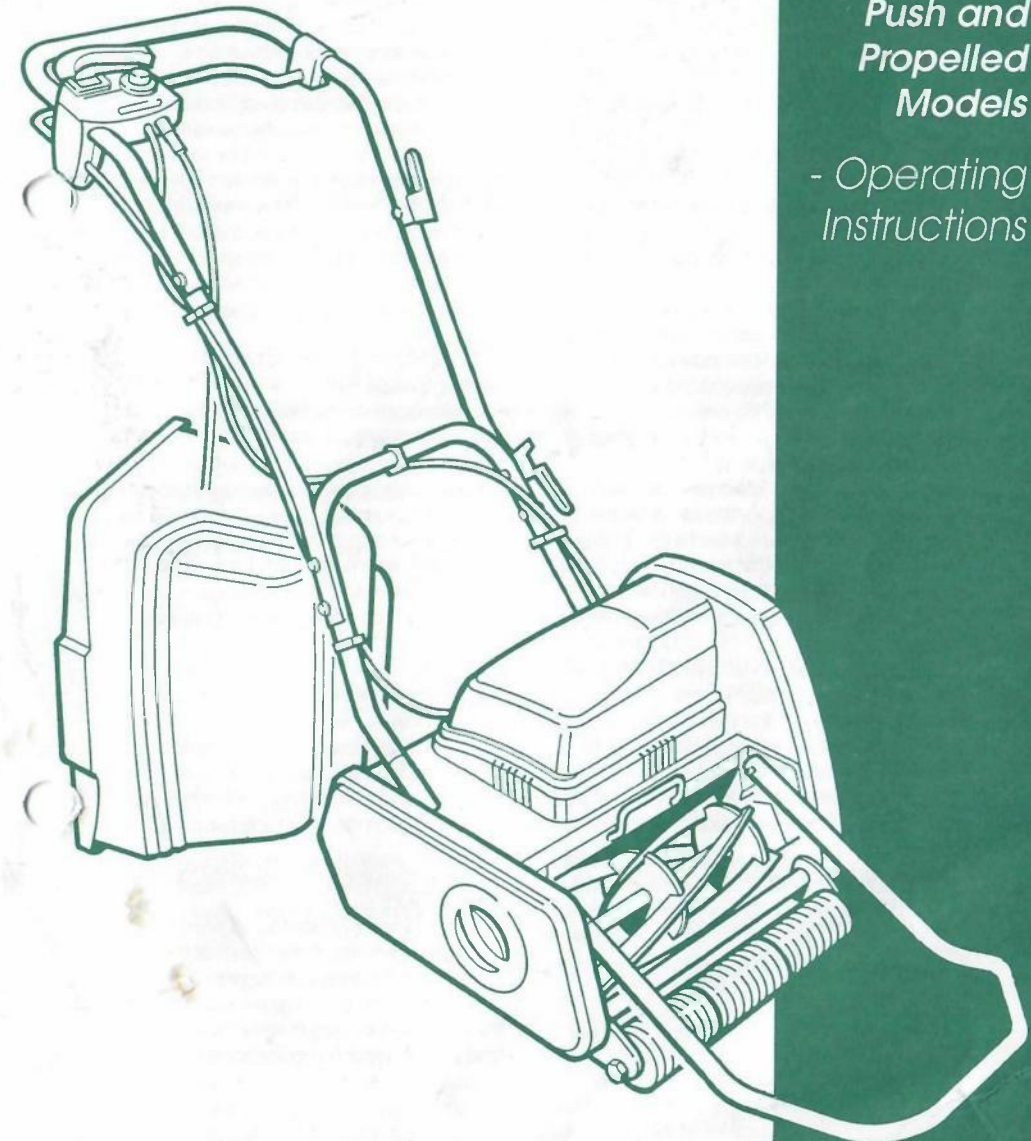
The cost of routine maintenance of the product is not covered by the guarantee.

It is in your best interest to follow the Operating Instructions for your mower/scarifier, as a properly cared for product should give many years of excellent service.

Should you require spares always insist on genuine Atco-Qualcast spares. Any damage caused to the product through the fitting of parts not made or approved by Atco-Qualcast is not covered by the guarantee.

Your statutory rights are not affected by this guarantee.

SH01



Electric Cylinder Mower

Push and Propelled Models

- Operating Instructions

Atco-Qualcast Ltd, Suffolk Works, Ipswich, Suffolk, IP14 1EY, England.
Tel: (01449) 764243



Suffolk Works, Suffolk, IP14 1EY, England.
Tel: (01449) 764243
L56773 (Mod.70/51)

Safety Rules



Read the instructions carefully.
Be familiar with the controls and the proper use of the lawnmower.

Explanation of Symbols on the Lawnmower

- 1)  General hazard safety alert.
- 2)  Read Instruction manual.

Never allow children or people unfamiliar with these instructions to use the lawnmower. Local regulations may restrict the age of the operator.

Never mow while people, especially children or pets, are nearby.

The operator or user is responsible for accidents or hazards occurring to other people or their property.

While mowing, always wear substantial footwear and long trousers.

Do not operate the lawnmower when barefoot or wearing open sandals, always wear substantial footwear and long trousers.

Thoroughly inspect the area where the lawnmower is to be used and remove all stones, sticks, wires, bones and other foreign objects.

Before using, always visually inspect to see that the blades, blade bolts and cutter assembly are not worn or damaged. Replace worn or damaged blades and bolts in sets to preserve balance.

On multi-bladed lawnmowers, take care as rotating one blade can cause other blades to rotate.

Mow only in daylight or in good artificial light.

Avoid operating the lawnmower in wet grass, where feasible.

Always be sure of your footing on slopes. Walk, never run.

Mow across the face of slopes, never up and down.

Exercise extreme caution when changing direction on slopes.

Do not mow excessively steep slopes.

Use extreme caution when reversing or pulling the lawnmower towards you.

Stop the blade(s) if the lawnmower has to be tilted for transportation when crossing surfaces other than grass and when transporting the lawnmower to and from the area to be mowed.

Switch on the lawnmower with feet well away from the blades.

Do not put hands or feet near or under rotating parts.

Never operate the lawnmower with defective guards, or without the grassbox in place.

Never pick up or carry the lawnmower while the motor is running.

Remove the plug from the socket:-

- whenever you leave the machine;
- before clearing a blockage;
- before checking, cleaning or working on the lawnmower;
- after striking a foreign object. Inspect the lawnmower for damage and make repairs as necessary;
- if the lawnmower starts to vibrate abnormally (check immediately).

Keep all nuts, bolts and screws tight to be sure that lawnmower is in safe working condition.

Check the grassbox frequently for wear or deterioration.

Replace worn or damaged parts for safety.

Be careful during adjustment of the lawnmower (or removal/transportation of the cutting cassette unit) to prevent entrapment of the feet and hands between moving blades and fixed parts of the lawnmower.

Introduction:

Thank you for buying your new lawnmower. This manual gives instructions on the correct assembly and safe use of your mower. It is important that you read these instructions carefully.

Take care when removing the machine from the carton. When fully assembled the machine weighs approximately 24-28kg.

If you are uncertain about removing the machine from the carton obtain assistance to do so.

When taking the machine to the lawn, ensure you take care when pushing it over uneven surfaces. Never lift the machine off the ground unless you feel it is comfortably light enough to do so. Please obtain assistance if you have tight areas or obstacles to encounter.

When you unpack the mower from the carton you should additionally have the following parts:-

Handle top, handle centres, grassbox, grassbox cradle, hardware pack incl:- instruction manual, exploded view sheet and machine registration card, screws, nuts, washers, cable winders & cable clips. Spacer tube, side wheels (these are fitted as standard to appropriate models) If any are missing please call the Consumer Care Hotline on (01449) 742130 for assistance.

We also have a wide network of Approved Service Agents whom you can contact for service and advice both within and outside the period of the guarantee.

For ordering spares/replacements please refer to the parts diagram supplied.

⚠ WARNING ⚠

SWITCH OFF, REMOVE PLUG FROM MAINS BEFORE ADJUSTING, CLEANING OR IF CABLE IS CUT OR ENTANGLED.

THE BLADES CONTINUE TO ROTATE FOR A FEW SECONDS AFTER THE MACHINE IS SWITCHED OFF.

Preparing the Mower for Use:

Assembling the Handles:-

- i) Attach the handle centres fig.1(A) and

one of the cable winders fig.1(B) to the handle top fig.1(C)

- ii) Attach the handle centres fig.1(A) and the remaining cable winder fig.1(B) to the handle bottom fig.1(D)
- iii) Route the cables using the cable clips as shown fig.1(G) - make sure the cable does not become trapped between the handles.

'E' = Intermediate (Black) cable

'F' = Land drive cable (self propelled models only)

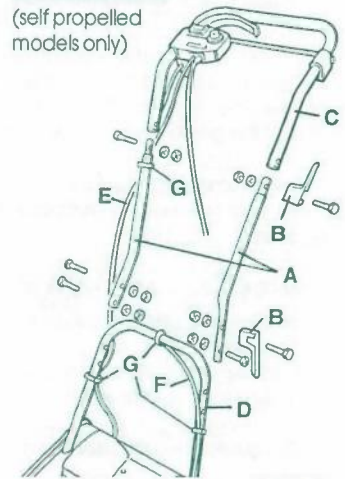


figure 1

Fitting the Grassbox Cradle:-

Spring the grassbox cradle into the pivot holes as shown fig.2(A)

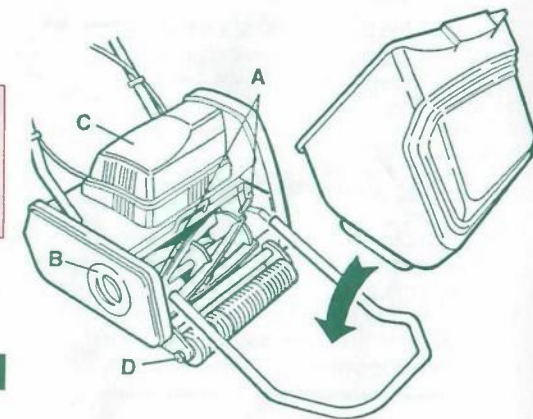


figure 2

ELECTRICAL SAFETY

Note: It is recommended for increased electrical safety to use a Residual Current Device (RCD) with a tripping current of not more than 30mA, such as a Qualcast Power-Safe - always check your RCD everytime you use it.

Note: Your mower is fitted with an approved 13A (BS1363/A) electric plug and is protected by a 3A fuse (ASTA Approved to BS1362).

If the fitted plug is not suitable for your socket outlets, it should be cut off and an appropriate plug fitted in its place.

The severed plug must be disposed of to avoid a possible shock hazard, and should never be inserted into a 13A socket elsewhere.

Your mower is double insulated for safety and requires no earth connection. The operating voltage is 230V ac, 50Hz.

Using Your Mower:

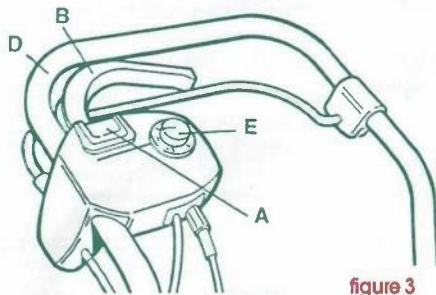
Grassbox:-

Fit the grassbox as shown fig.2.

Starting and Stopping:-

Starting

- 1) Press the safety button fig.3(A) and keep depressed.
- 2) Squeeze the lever fig.3(B) towards the top handle fig.3(D).
- 3) Release the safety button fig.3(A).



Stopping

Release the lever fig.3(B)

Self-propelled models only - to drive the rear roller:-

- 1) Follow stages 1 to 3 as in 'Starting'.
- 2) Squeeze the land drive control lever fig.3(C) towards the top handle fig.3(D).

- 3) Adjust the speed with the control knob fig.3(E) as required between;
1 = min and 6 = max
- 4) To stop the drive, release the land drive control lever fig.3(C).

Mowing:-

Place the mower on the edge of the lawn, as close to the power point as possible. Work away from the power point in route as shown fig.4. Throw the cable to opposite side (side already cut) at the end of each turn.

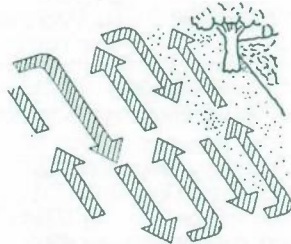


figure 4

Cutting Long Grass using Side Wheels (fitted as standard to appropriate models):-

Your mower is fitted with a full width front roller which is suitable for normal smooth lawns. For cutting longer, coarse grass side wheels can be fitted as follows:-

- 1) Tilt the mower back and wedge securely.
- 2) Remove the front roller and roller shaft by removing nut fig.2(D) and slackening nut fig.2(D) on the other side.
- 3) Remove the rollers from the shaft and fit the wheels and spacer tubes as shown fig.5.
- 4) Refit the side wheels, roller shaft and securely tighten the nuts.
- 5) Refit the full width roller by following steps 1-4 in reverse.

When mowing DON'T ALLOW THE MOTOR TO LABOUR particularly in heavy conditions. When the motor labours the speed of the motor drops and you will hear a change in the motor sound, when this occurs RAISE THE HEIGHT-OF-CUT.

Failure to do so could damage the mower.

Height of Cut Adjustment:-

Your mower has five heights of cut which gives the following, by pushing in and turning the height-of-cut knob fig.2(B) clockwise or anti-clockwise, taking the weight of the mower by pushing down on the handles:-

- | | |
|----------|---------------|
| 1 = 6mm | 2 = 10mm |
| 3 = 15mm | 4 = 22.5mm |
| 5 = 30mm | S = scarifier |

Note: A sixth position labelled 'S' should only be used with the scarifier cassette accessory (may be purchased separately - see accessory page or phone (01449) 742130 for further details).

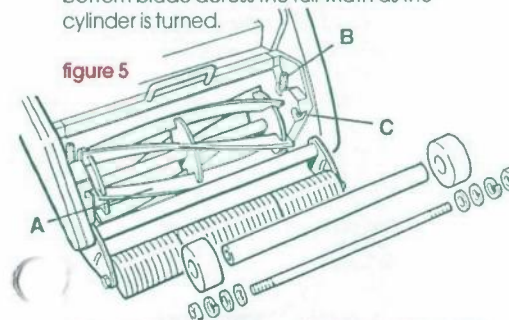
Maintenance

Adjusting the blades:-

The cutters should be adjusted if the grass is not cut cleanly and evenly;

- 1) Remove the grassbox and cradle.
- 2) Tilt the mower back and wedge securely
- 3) Adjust the cutting cylinder fig.5(A) closer to the bottom blade by turning each of the screws fig.5(B) a little at a time.

Note: The blades are correctly adjusted when the cutting cylinder lightly brushes the bottom blade across the full width as the cylinder is turned.



The blades act like a pair of shears, as a test, correctly adjusted blades will cut a piece of good quality writing paper across the width of each blade.

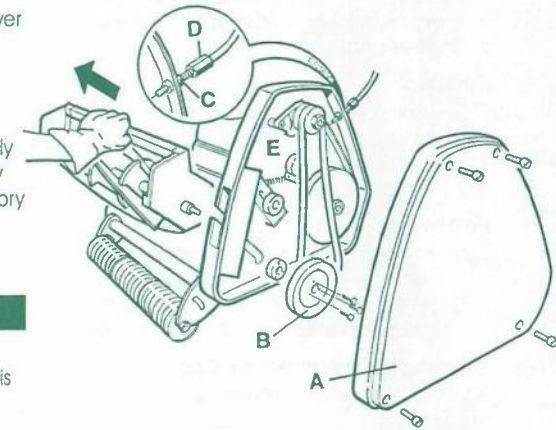
Replacing Cutting Cassette Unit or Fitting Accessories:-

The mower is fitted with a quick release cutting cassette unit which can be exchanged or sharpened by an approved service agent.

To remove the cutting cassette unit proceed as follows; (it is advisable to wear a pair of gardening gloves)

- 1) Remove the grassbox and cradle.
- 2) Remove drive cover as shown fig.6(A).

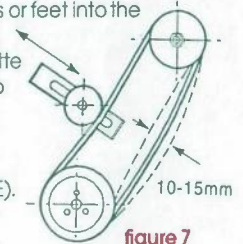
figure 6



- 3) Remove pulley and belt by removing the 3 screws as shown fig.6(B). (For further details see inside drive cover.)
- 4) Remove screws on both sides of cassette fig.5(C).

5) Pull the cutting cassette unit out using the handle as shown fig.6, taking care, not to place hands or feet into the blades themselves.

- 6) Replace the cassette by sliding back into chassis and refit screws Fig.5(C).
- 7) Loosen the idler pulley screw Fig.6(E).
- 8) Refit pulley and drive belt.



- 9) Adjust the idler pulley against the drive belt to give tension as shown, Fig.7.
- 10) Refit transmission cover.

Adjusting Land drive clutch:-

If the machine doesn't drive adequately it may be necessary to adjust the drive cable, as follows:-

- 1) Slacken nut fig.6(C), turn adjuster fig.6(D) a few turns anti-clockwise.
- 2) Retighten the nut fig.6(C).

Note: - When correctly adjusted, drive to the rear roller is engaged when the land drive lever is squeezed against the handle top or disengaged when released.

Rewiring the Supply cable:-

Note:- Because of the complexity of the switchcase assembly we **strongly** recommend that you contact an approved service agent, the method below should be followed by a competent person.

Removal

- 1) Insert a 1mm diameter pin into the same hole as the wire.
- 2) Pull out the wires
- 3) Remove the pin

Refitting

- 1) Ensure 8mm of insulation is removed from the end of each wire.
- 2) For each wire, twist the strands together
- 3) Insert each wire fully in the switch holes.

Rewiring the Intermediate Cable

If the intermediate cable requires replacement contact an approved service agent.

Extension cable:-

Only use an approved extension cable such as a 'Qualcast' Power-Line or a 'Qualcast' Power-Line Plus.

Winter Storage/After Mowing:-

- 1) Clean the mower down thoroughly, remove any grass debris especially around the motor cover fig.2(C).
- 2) Check the cutting action (see adjusting the blades), oil the cutting edges.
- 3) Check that all nuts and bolts are tight.
- 4) Visually inspect the mower for any worn or damaged parts, contact an approved service agent if any parts require replacement.

Note: Regular maintenance at the recommended service intervals, replacing worn or damaged parts as necessary and having the mower serviced by an approved service agent before winter storage will maximise the life and reliability of the lawnmower.

Fault Finding chart

Symptom	Possible Cause	Remedy
Fails to operate	Is the power turned on?	Turn power on
	Is the mains socket live?	Try another socket and/or another appliance
	Has the fuse blown?	Replace fuse
Works Intermittently	Fuse continues to blow	Contact an approved service agent.
	Supply cable damaged	Rewire switch - Contact an approved service agent
	Intermediate cable damaged	Contact an approved service agent
	Supply cable damaged	Rewire switch - Contact an approved service agent
	Intermediate cable damaged	Contact an approved service agent
Mower leaves a ragged finish	Motor fault	Contact an approved service agent
	Cutter not correctly adjusted	Adjust the cutter
Cutting cylinder doesn't rotate	Drive belt damaged	Contact an approved service agent
	Drive belt slipping	Contact an approved service agent
Excessive vibration/Noise	Blade(s) and/or cylinder bearing damaged	Remove cylinder/bottom blade unit and Contact an approved service agent
	Motor fault	Contact an approved service agent
Self-Propelled Models Only		
Land drive does not engage fully	Drive belt damaged	Contact an approved service agent
	Drive belt slipping	Adjust cable
	Cable damaged	Contact an approved service agent

Declaration of conformity

PRODUCT: Classic/Suffolk/Windsor
MODEL/TYPE REF: CLE30/CLE30s/CLE35s
SPE14s/WR14s
SERIAL NUMBER: See Rating details on machine
MANUFACTURED BY: Atco-Qualcast Ltd,
Stowmarket,
Suffolk, IP14 1EY,
England.
IDENTIFICATION: Light Mains Electric
Lawnmower.

A Sample of the product has been tested and found to be in conformity with the following:

Machinery Directive 89/392/EEC,
Noise Level Directive 84/538/EEC,
Low Voltage Directive 73/23/EEC,
Electromagnetic Compatibility
Directive 89/336/EEC,
and BS 3456 Part 2.32 1974.

In addition the Manufacturer stated above is approved to the following:

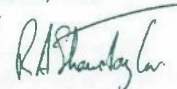
BS EN ISO 9001:1994

Holding Certificate Number: FM 10041

All Certificates and Relevant Test Reports are included in the Technical Construction File which has been agreed with the British Standards Institute, Milton Keynes, MK146LL, England.

PLACE: Stowmarket, July 1995

Signature: Director



The Vibrations transmitted at the handle of the machine when in motion do not exceed 8m/s^2 . (The weighted root mean square acceleration value.) The measurement which determined the maximum level of vibration was carried out on a machine, standing on a hard surface (Reference BS6842: 1987).

Noise Certificate

This product has been independently tested for noise in accordance with the EU Noise legislation. The following noise certificate certifies its compliance.

We certify that the lawnmower:-

CATEGORY: Electric
MAKE: Qualcast/Suffolk/Atco
TYPE: Classic/Suffolk/Windsor
SERIES
IDENTIFICATION: CLE30/CLE30s/CLE35s
SPE14s/WR14s

MOTOR -
MANUFACTURER: Atco-Qualcast Ltd.
MOTOR - Type L58000
MOTOR - Speed of rotation
during test (1/min) 13,000

Conforms to the Specifications of Directive 84/538/EEC relating to noise level

Guaranteed maximum
sound power level 96dB(A)

Type of cutting device Cylinder

Blade width (cm) 30/35

Speed of rotation of the
cutting device (1/min) 1410

Signed at Stowmarket Date 1995
Signature Position: Director



The airborne noise emission of this machine has been measured at 85 dB(A). This is the equivalent continuous A - weighted sound pressure level at the operators position. The level was calculated from the measurements taken during the test carried out in accordance with Noise level directive 84/538/EEC.

Product Specification

Cylinder Mower	CLASSIC ELECTRIC 30	Suffolk Punch Cylinder ELECTRIC 12	WINDSOR 12 S	WINDSOR 14 S
Part number	F016 313 4..	3616 C13 A70	3616 C02 A..	3616 C14 A..
Rated power	340 W	340 W	340 W	340 W
Blade width	30 cm	30 cm	30 cm	35 cm
Height of cut	10 - 35 mm	10 - 35 mm	10 - 35 mm	10 - 35 mm
Grassbox capacity	32 l	32 l	32 l	32 l
Self Propelled	-	-	•	••
Rake	-	-	-	-
Weight	23.5 kg	24.5 kg	24.5 kg	28 kg
Protection class	□ / II	□ / II	□ / II	□ / II
Serial Number	See serial No. 9 (rating plate) on machine			

* models only

Intended Use

This product is intended for domestic lawn mowing.

Introduction

This manual gives instructions on the correct assembly and safe use of your machine. It is important that you read these instructions carefully.

When fully assembled the machine weighs between approximately 23.5 – 28 kg. If necessary, obtain assistance to remove from packaging.

Take care when carrying the mower to the lawn, as the blades are sharp.

Delivered Items

Carefully remove the machine from its packaging and check that you have all the following items:

- Lawnmower with handle assembly
- Handle spindle (windsor models only)
- Wing nuts
- Grassbox
- Operating instructions

If parts are missing or damaged, please contact consumer care hotline on (01895) 838782 for assistance. We also have a network of Atco-Qualcast Approved Service Agents who you can contact for service and advice both within and outside the period of guarantee.

Operating Controls

- 1 Handlebar
- 2 Switch lever
- 3 Safety button
- 4 Handle bottom
- 5 Grassbox
- 6 Cable restraint**
- 7 Mains plug**
- 8 Ventilation slots
- 9 Serial number
- 10 Height of cut knob

**Country specific

Not all of the accessories illustrated or described are included as standard delivery.

For Your Safety

WARNING! SWITCH OFF, REMOVE PLUG FROM MAINS BEFORE ADJUSTING, CLEANING OR IF CABLE IS CUT OR ENTANGLED.

THE BLADES CONTINUE TO ROTATE FOR A FEW SECONDS AFTER THE MACHINE IS SWITCHED OFF.

CAUTION - DO NOT TOUCH ROTATING BLADES.

Electrical Safety

Your machine is double insulated for safety and requires no earth connection. The operating Voltage is 230 V ac, 50 Hz (for non-EU countries 220 V, 240 V as applicable). Only use an approved extension cable. Contact your service agent for details.

Extension cords/leads should only be used if they comply with H05VV-F or H05RN-F types.

It is recommended for increased electrical safety to use a Residual Current Device (RCD) with a tripping current of not more than 30 mA. Always check your RCD every time you use it.

For Product not sold in GB:

WARNING: For safety, it is essential that the mains plug 7 attached to the machine is fitted to the power supply cable 35.

The couplings of connection leads must be protected against splashes and the coupling sockets on the leads must be made of rubber or coated with rubber.

Fixing means for the connection leads must be used.

The connection lead must be inspected for signs of damage at regular intervals and may only be used if in perfect condition.

If the supply cord is damaged it must be replaced by a Qualcast Approved Service Agent.

Products sold in GB only: Your mower is fitted with an approved 13 A (BS1363/A) electric plug and is protected by a 13 A fuse (ASTA Approved to BS 1362).

If the fitted plug is not suitable for your socket outlets, it should be cut off and an appropriate plug fitted in its place by an authorized customer service agent.

The severed plug must be disposed of to avoid a possible shock hazard and should never be inserted into a 13 A socket elsewhere.

Assembly

A Unfold the top handle 1 and tighten wingnut.

Note: Ensure that the cable clips supplied are used to fix the cable to the handle.

The blades will require adjustment - see Adjusting Blades.

Attach cable to cable restraint ensuring that sufficient cable slack is available. (Euro models only)

B Grassbox/bag

Spring the grassbox cradle 11 into pivot holes 12. Attach/remove the grassbox 5.

B Height of cut adjustment

Your machine has six settings which give the following approximate height of cut:

1 = 10 mm 2 = 14 mm 3 = 19 mm
4 = 27 mm 5 = 35 mm S = Scarifier

Position "S" should only be used with the Scarifier Cassette accessory (purchased separately).

To adjust the height of cut:

Tilt the mower to take the weight off the front rollers. Push the height of cut knob 10 in and turn to the desired position.

For the first cutting of the season, a high cutting adjustment should be selected.

(Windsor 14 S, GB models only)

The comb will also require adjustment. See "Comb Adjustment".

C Comb Adjustment (Windsor 14 S, GB models only)

Your mower is fitted with an adjustable comb 13 which can be brought into use on the lower heights of cut. It is set by loosening the screws 14 and rotating the comb until the tines just touch the ground. You may need to re-adjust after changing the height of cut. Take care not to set the comb too deep, as this could cause damage to either your mower or lawn.

C Cutting Long Grass Using Side Wheel Kit (WINDSOR models only)

Your mower is fitted with a full width front roller which is suitable for normal smooth lawns. For cutting longer, coarse grass a side wheel kit can be fitted.

To fit this kit proceed as follows:

1. Tilt the mower back and wedge securely.

2. Remove the front roller/comb assembly by removing bolt 15 and removing bolt 14 on both sides.
 3. Fit the side wheel 17, on to the side wheels spindle 16.
 4. Fit each side wheel assembly on both sides of the roller brackets as shown and fix with bolt 18
- Refit the full width roller by following steps 1-4 in reverse.

E Starting and Stopping

! The blade continues to rotate for a few seconds after the machine is switched off. Allow the motor/blade to stop rotating before switching "on" again. Do not rapidly switch off and on.

To aid starting push handle down to lift front of mower.

Starting:

- 1 Press and hold the safety button 3.
- 2 Squeeze the switch lever 2 towards the handle.

Release the safety button 3.



Stopping:

Release the switch lever 2.

Engaging rear roller (self propelled models only)

1. Start mower.
2. Gradually squeeze the drive control lever 22 towards the top handle.
3. Adjust the speed as required by moving the speed control knob 23 between 1 (min) and 6 (max.).
4. To stop, release the drive control lever 22 or switch lever 2.

Mowing

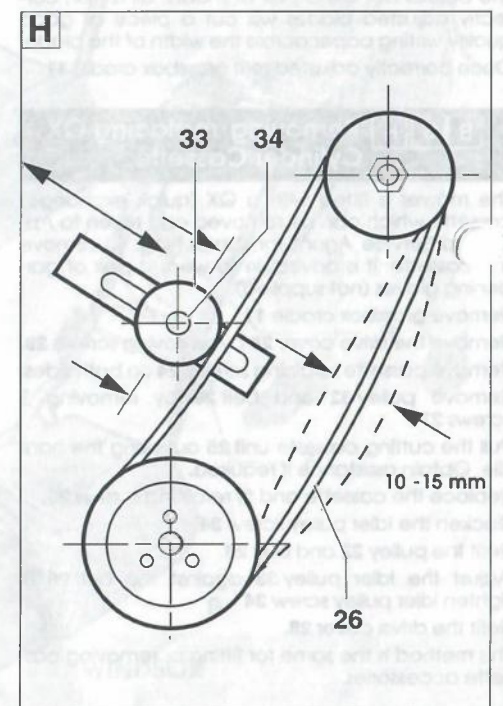
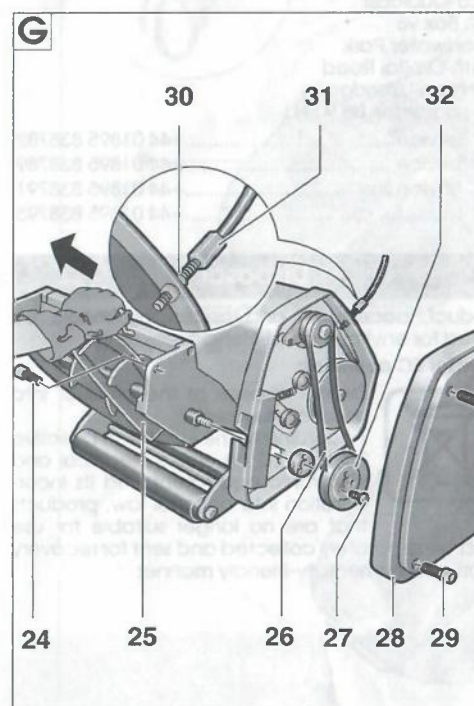
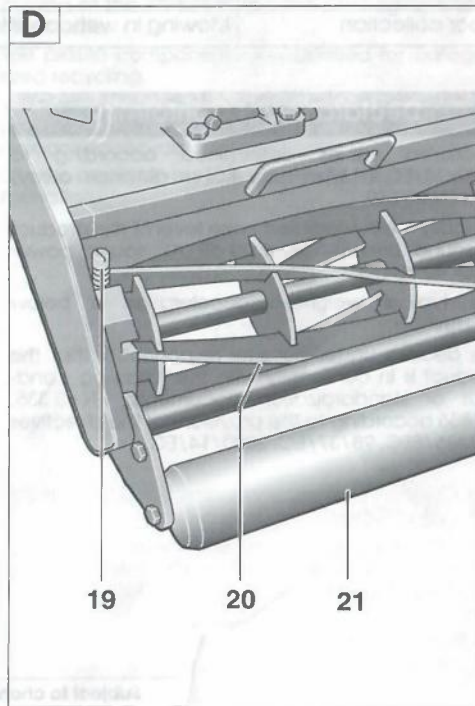
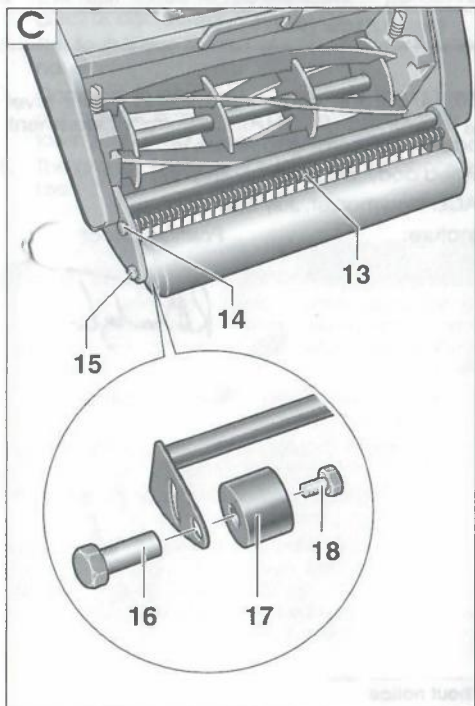
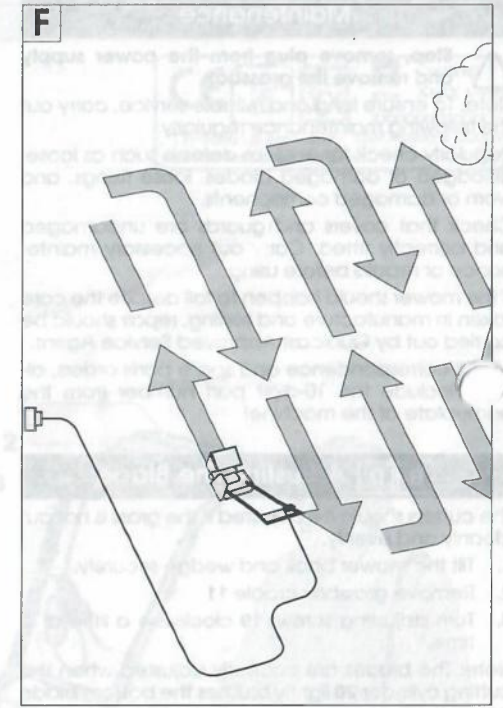
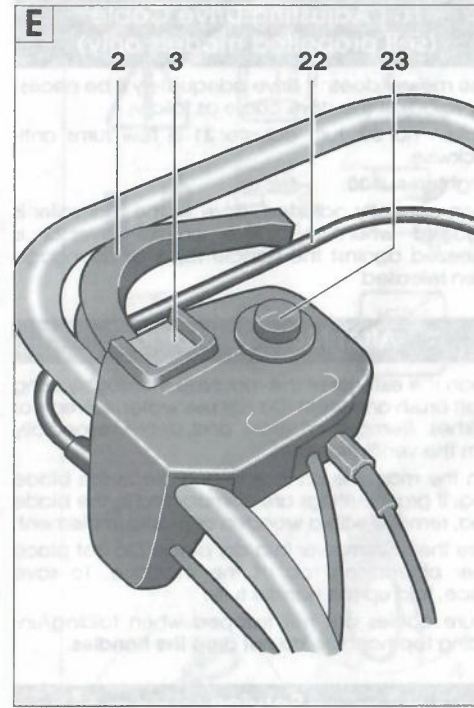
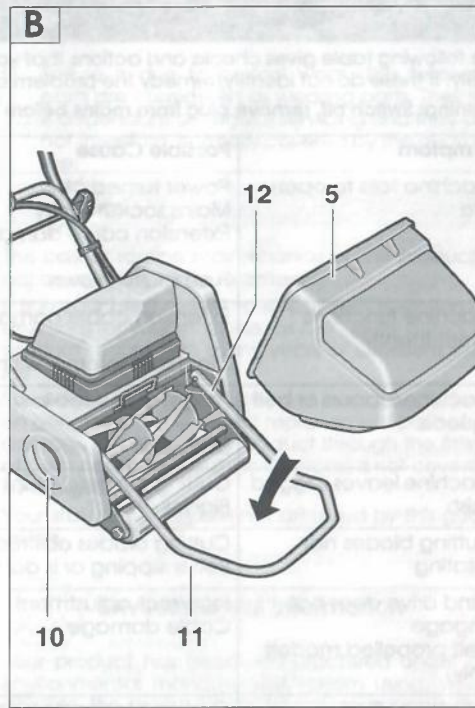
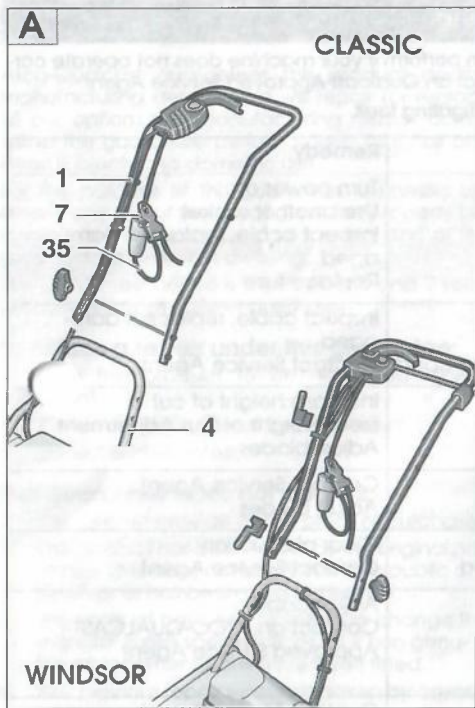
Place the lawnmower on the edge of the lawn, as close to the power point as possible. Work away from the power point as in Figure F. Then at right angles.

Position the cable to opposite side (already cut) at the end of each turn.

The blades may require adjustment, particularly before first use - see Adjusting Blades.

When mowing **do not allow the motor to labour** particularly in heavy conditions.

When the motor labours the speed of the motor drops and you will hear a change in the motor sound, when this occurs stop mowing, release switch lever and **raise the height of cut**. Failure to do so could damage the machine.



Maintenance

⚠ Stop, remove plug from the power supply and remove the grassbox.

Note: To ensure long and reliable service, carry out the following maintenance regularly.

Regularly check for obvious defects such as loose, dislodged or damaged blades, loose fixings, and worn or damaged components.

Check that covers and guards are undamaged and correctly fitted. Carry out necessary maintenance or repairs before using.

If the mower should happen to fail despite the care taken in manufacture and testing, repair should be carried out by Qualcast Approved Service Agent.

For all correspondence and spare parts orders, always include the 10-digit part number from the nameplate of the machine!

B D Adjusting the Blade

The cutters should be adjusted if the grass is not cut cleanly and evenly.

1. Tilt the mower back and wedge securely.
2. Remove grassbox cradle **11**
3. Turn adjusting screws **19** clockwise a little at a time.

Note: The blades are correctly adjusted when the cutting cylinder **20** lightly brushes the bottom blade across the full width as the cylinder **20** is turned.

The blades act like a pair of shears, as a test, correctly adjusted blades will cut a piece of good quality writing paper across the width of the blade. Once correctly adjusted refit grassbox cradle **11**.

B G H Removing/replacing QX Cylinder Cassette

The mower is fitted with a QX (quick exchange) cassette which can be removed and taken to Approved Service Agent for sharpening. To remove the cassette: It is advisable to wear a pair of gardening gloves (not supplied).

Remove grassbox cradle **11**.

Remove the drive cover **28** by removing screws **29**.

Remove cassette retaining screws **24** on both sides.

Remove pulley **32** and belt **26** by removing 3 screws **27**.

Pull the cutting cassette unit **25** out using the handle. Obtain assistance if required.

Replace the cassette and fit retaining screws **24**.

Slacken the idler pulley screw **34**.

Refit the pulley **32** and belt **26**.

Adjust the idler pulley **33** against the belt **26** & tighten idler pulley screw **34**.

Refit the drive cover **28**.

This method is the same for fitting or removing cassette accessories.

G Adjusting Drive Cable (self propelled models only)

If the mower doesn't drive adequately it be necessary to adjust the drive cable as follow:

Slacken nut **30**, turn adjuster **31** a few turns anti-clockwise.

Retighten nut **30**.

When correctly adjusted, drive to the rear roller is engaged when the drive control lever **22** is squeezed against the handle top **1** or disengage when released.

After Mowing/Storage

Clean the exterior of the machine thoroughly using a soft brush and cloth. Do not use water, solvents or polishes. Remove all grass and debris, especially from the ventilation slots.

Turn the machine on its side and clean the blade area. If grass cuttings are compacted in the blade area, remove with a wooden or plastic implement.

Store the lawnmower in a dry place. Do not place other objects on top of the machine. To save space, fold up the handle fully.

Ensure cables are not trapped when folding/unfolding top handles, **do not drop the handles**.

Service

Atco-Qualcast
P.O. Box 98
Broadwater Park
North Orbital Road
Denham-Uxbridge
GB-Middlesex UB 9 5HJ

☎ Service.....+44 01895 838782

☎ Fax Service.....+44 01895 838789

☎ Advice line.....+44 01895 838791

☎ Fax.....+44 01895 838793

Disposal

Product, accessories and packaging should be sorted for environmental-friendly recycling.

Only for EC countries:



Do not dispose of the product into household waste!

According to the European Directive 2002/96/EC on waste electrical and electronic equipment and its incorporation into national law, products that are no longer suitable for use

must be separately collected and sent for recovery in an environmentally-friendly manner

Fault Finding

The following table gives checks and actions that you can perform if your machine does not operate correctly. If these do not identify/remedy the problem contact an Qualcast Approved Service Agent.

Warning: Switch off, remove plug from mains before investigating fault.

Symptom	Possible Cause	Remedy
Machine fails to operate	Power turned off Mains socket faulty Extension cable damaged Fuse faulty/blown	Turn power on Use another socket Inspect cable, replace if damaged Replace fuse
Machine functions intermittently	Extension cable damaged Machines internal wiring damaged	Inspect cable, replace if damaged Contact Service Agent
Machine labours or belt squeals	Height of cut too low Blades off cut	Increase height of cut (see "Height of Cut Adjustment") Adjust blades
Machine leaves ragged finish	Cutting blade(s) blunt Blades off cut	Contact Service Agent Adjust blades
Cutting blades not rotating	Cutting blades obstructed Belt is slipping or is damaged	Clear obstruction Contact Service Agent
Land drive does not engage (Self propelled models only)	Incorrect adjustment Cable damage	Adjust cable Contact an ATCO-QUALCAST Approved Service Agent
Excessive vibration/noise	Cutting blades damaged Cutting blades not adjusted evenly	Contact Service Agent Adjust blades
Poor collection	Mowing in wet conditions	Allow grass to dry

Declaration of Conformity

Measured values determined according to 2000/14/EC (1.60 m height, 1 m distance away) and EN 25 349.

Typically the A-weighted noise level of the product is: sound pressure level 79 dB (A); sound power level: 90 dB (A).

The typical weighted acceleration is below 2.5 m/s².

We declare under our sole responsibility that this product is in conformity with the following standards or standardization documents: EN 60 335, EN 836 according to the provisions of the directives 89/336/EEC, 98/37/EC, 2000/14/EC.

2000/14/EC: The guaranteed sound power level L_{WA} is lower than 94 dB (A). Conformity assessment procedure according to Annex VI.

Notified body: SRL, Sudbury England

PLACE: Stowmarket, July 2001

Signature:

Position: Director

R.A. Shawley

Subject to change without notice

Safety Notes



Warning! Read these instructions carefully, be familiar with the controls and the proper use of the lawnmower.

Explanation of symbols on the lawnmower
General hazard safety alert.



Read instruction manual.



Beware of thrown or flying objects to bystanders.



Keep bystanders a safe distance away from the machine.



Switch off and remove plug from mains before adjusting, cleaning or if the cable is entangled and before leaving the lawnmower unattended for any period. Keep the supply flexible cord away from the cutting blades.



Sharp blade(s). Beware of severing toes or fingers.



Wait until all machine components have completely stopped before touching them. The blades continue to rotate after the machine is switched off, a rotating blade can cause injury.



Do not mow in the rain or leave the lawnmower outdoors whilst it is raining.

Never allow children or people unfamiliar with these instructions to use the lawnmower. Local regulations may restrict the age of the operator.

Never mow while people, especially children or pets, are nearby.

The operator or user is responsible for accidents or hazards occurring to other people or their property. Do not operate the lawnmower when barefoot or wearing open sandals, always wear substantial footwear and long trousers.

Thoroughly inspect the area where the lawnmower is to be used and remove all stones, sticks, wires, bones and other foreign objects.

Before using, always visually inspect to see that the blades, blade bolts and cutter assembly are not worn or damaged.

Replace worn or damaged blades and bolts in sets to preserve balance. On multi-bladed lawnmowers, take care as rotating one blade can cause other blades to rotate.

Mow only in daylight or in good artificial light.

Avoid operating the lawnmower in wet grass, where feasible.

Walk, never run.

Mowing on banks can be dangerous:

- Mow across the face of slopes - never up and down.
- Be particularly careful of your footing on slopes or wet grass.
- Exercise extreme caution when changing direction on slopes.
- Do not mow excessively steep slopes.
- Use extreme caution when stepping back or pulling the lawnmower towards you. Never cut grass by pulling the mower towards you.

Stop the blades if the lawnmower has to be tilted for transportation when crossing surfaces other than grass and when transporting the lawnmower to and from the area to be mowed.

Do not tilt the lawnmower when starting or switching on the motor, except if the lawnmower has to be tilted for starting in long grass. In this case, do not tilt it more than absolutely necessary and lift only the part which is away from the operator. Always ensure that both hands are in the operating position before returning the mower to the ground.

Never operate the lawnmower with defective guards, or without the safety devices, for example deflectors and/or grass catches, in place.

Do not change the engine governor settings or overspeed the engine. Operating an engine at excessive speed may increase the hazard of personal injury.

Disengage all blade and drive clutches before starting the engine.

Start the engine or switch on the motor carefully according to instructions and with feet well away from the blade(s). Do not tilt the mower when starting. Keep clear of the discharge opening at all times. Never pick up or carry a lawnmower while the engine is running.

Do not put hands or feet near, or under, rotating parts while the lawnmower is being operated.

Remove the plug from the socket:

- whenever you leave the machine
- before clearing a blockage
- before checking, cleaning or working on the lawnmower
- after striking a foreign object. Inspect the lawnmower for damage and make repairs as necessary
- if the lawnmower starts to vibrate abnormally (check immediately).

Keep all nuts, bolts and screws tight to be sure that the lawnmower is in safe working condition.

Check the grassbox/bag frequently for wear or deterioration.

Replace worn or damaged parts for safety.

Ensure replacement parts fitted are Qualcast approved.



SH01