



Cooker Hood

Instructions for use

Models 43961D [600mm] & 43963D [900mm]

INSTALLATION INSTRUCTIONS

Installation is simple. Full instructions and a marking guide are provided on Pages 2 and 3.

OPERATING AND MAINTENANCE INSTRUCTIONS

Fully explained on Page 4.

Introduction

PLEASE READ THIS PAMPHLET ON HOW TO GET THE BEST USE OF YOUR NEW CREDA COOKER HOOD

Remember, our Home Economics Department is always available to you for advice if you write to:-

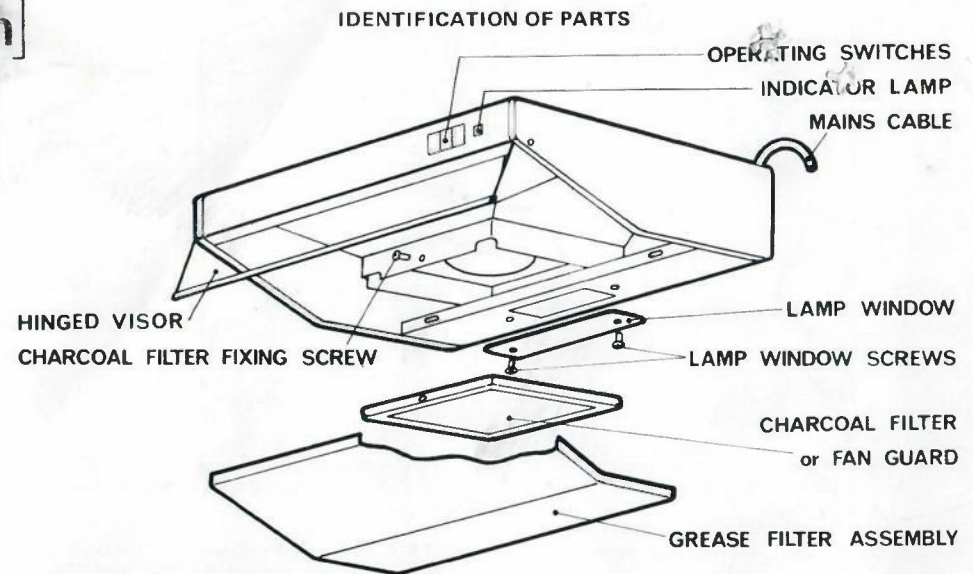
The Home Economist

TI Creda Limited

Blythe Bridge

Stoke-on-Trent, ST11 9LJ.

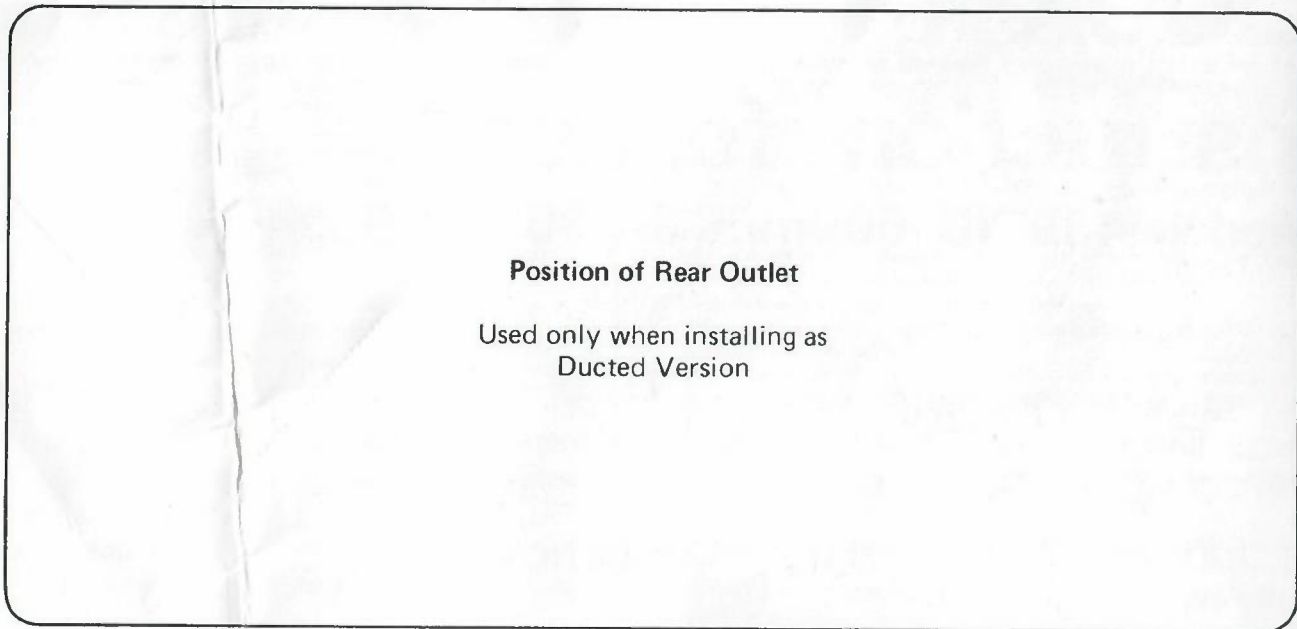
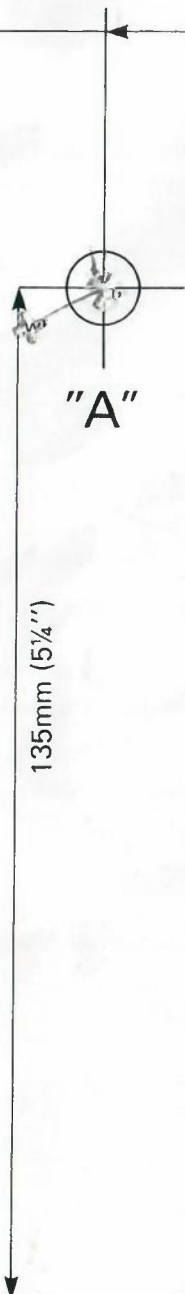
NB. Read the separate instructions on the 'Installation and Marking Guide' before attempting to fix or operate the appliance.



INSTALLATION INSTRUCTIONS & MARKING GUIDE FOR THE



DO NOT ATTEMPT TO FIX OR RUN THE COOKER



Position of Rear Outlet

Used only when installing as
Ducted Version

Installation as Ductless Version

STEP 1

Check that mains voltage corresponds with that marked on the appliance rating label. The hood is suitable for A.C. only.

STEP 2

Use this marking guide to select the best position for the hood, but measure accurately the distance between hole centres 'A' before drilling the wall, because this paper pattern may shrink. The holes are 520mm apart. The height of the hood must be at least 600mm (24") above an electric cooking surface, and preferably not more than 740mm (29") above it, measured to the underside of the hood. Allow at least 300mm (12") clearance if the hood is fitted over a high level grill. For gas cookers, greater clearances are sometimes needed, and it is important to check with the cooker manufacturers recommendations.

The sides and top of the hood may be fitted close against walls and cupboards provided these do not obstruct the air slots on top of the hood, (ductless version).

STEP 3

Consider the wall on which the hood is to be mounted. If holes are drilled and plugged directly into brick, the hood will be firmly fixed by two No. 10 x 38 mm (1½") round head screws. A third screw, No. 8 x 1" ensures that the hood cannot be accidentally dislodged by lifting it off its keyhole slots.

If the wall is not brick, it may be necessary to first reinforce it with wooden battens or block-board.

Screw the No. 10 screws into the wall, leaving them 3mm (¼") proud, so that the hood can be hung on them.

STEP 4

Remove the grease filter and the charcoal filter from the hood as explained in "Instructions for Use". Locate the hood over the heads of the fixing screws, and while supporting the hood, mark the wall through the hole to be found in the hood back panel at the lower R.H. side. Remove the hood. Drill and plug the wall for a No. 8 by 1" screw at the position just marked.

Refit the hood over screws 'A' and fully tighten them. Now fit a No. 8 by 1" screw into the third hole.

STEP 5

Remove the polythene wrapping from the charcoal filter, and fit the filter into the hood. Fit the grease filter to the hood. Fit a suitable earthed plug to the end of the mains input cable; plug into the supply and switch on.

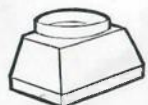


THIS EDGE AT LEAST 600mm (24") ABOVE COOKING SURFACE

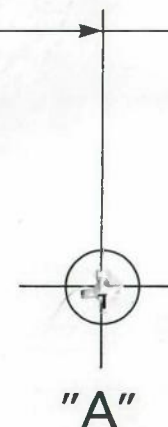
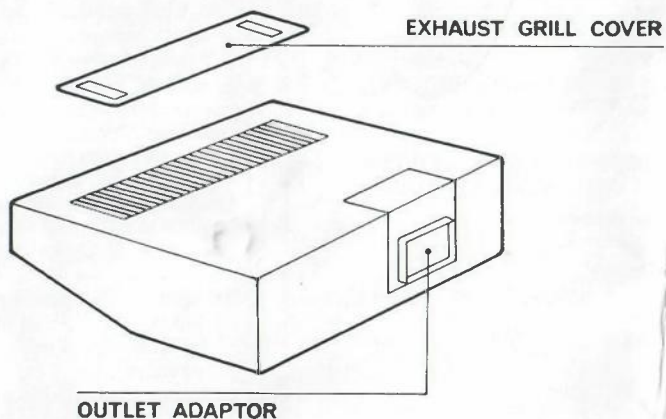
COOKER HOOD MODELS 43961D (600mm) & 43963D (900mm)

DO NOT INSTALL YOUR COOKER HOOD WITHOUT READING THESE INSTRUCTIONS!

AA = 520mm



RECTANGULAR-TO-ROUND
CONVERTER FOR
OUTLET



Installation as Ducted Version

STEP 1

Most of the preceding instructions for mounting the hood on the wall are applicable and should be read first.

STEP 2

Use this marking guide to select the best position of the outlet if it is to be ducted straight out through the wall behind the hood.

Alternatively the outlet adaptor may be turned through 90 degrees so that the airflow is through the top of the hood, whence it is conveyed by ducting along the wall — usually hidden by cupboards — to an outside wall.

STEP 3

The top/rear outlet cover plate is removed from the hood, and replaced by the outlet adaptor. The outlet slots in the top of the hood, which normally

return filtered air into the kitchen, must of course be blanked off. An exhaust grill cover, to be found in the carton, is fixed carefully in place, after peeling off the paper backing from the self-adhesive strips on it.

The charcoal filter is taken from the hood and emptied of its charcoal, which is not required at all for the ducted version. The empty filter-frame is replaced in the hood to serve as a safety guard near the fan blades.

If the charcoal is left in, there will be insufficient air-flow through the ducting.

The washable grease filter is left in place.

STEP 4 DUCTING

If the hood is ducted rear-wards through the wall, the hole should be lined so that steam is not blown into the cavity of the wall. Any external grille should not reduce the total cross-sectional area of

outlet below 19 square inches.

TOP DUCTED HOODS

The ducting may be of simple box form, built on site.

Alternatively the outlet adaptor can be fitted with a "square-to-round" converter, available from: Spares Department, Creda Electric Ltd., P.O. Box 4, Blythe Bridge, Stoke-on-Trent, Staffs. ST11 9LJ. The ducting is then even more simple, consisting of a length of 5" bore flexible, lightweight hose. We recommend "Glasflex", which is flame-resistant fibreglass cloth on a spiral wire framework.

It is not only very easy to bend, but will also "Concertina" to feed it through holes in the wall-cupboards. Ensure that all direction changes are smooth bends, and that the cross-sectional area of ducting and outlet grille does not fall below 19 sq.in. (123 sq.cu.), and the total length of duct

should not exceed about 3 metres.

"Glasflex" hose, 5" diameter, Code 0680 is available from distributors throughout the country. In case of difficulty, contact:- Compoflex Co. Ltd., at Oldham (Tel. 04577-5511) or Bicester (Tel. Bicester 42043).

Alternatively, flexible steel tube or plastic tube of the appropriate size can be used. Care should be taken as a smaller diameter tube can reduce the performance of the hood.

SURFACE OR 300mm (12") ABOVE EYE LEVEL GRILL



OPERATING AND MAINTENANCE INSTRUCTIONS

WARNING. THIS APPLIANCE MUST BE EARTHED.

IMPORTANT. The wires in this mains lead are coloured in accordance with the following code:-

Green-and-Yellow: Earth
Blue: Neutral
Brown: Live

As the colours of the wires in the mains lead of this appliance may not correspond with the coloured markings identifying the terminals in your plug, proceed as follows:

The wire which is coloured green-and-yellow must be connected to the terminal in the plug which is marked with the letter E or by the earth symbol \perp or coloured green or green-and-yellow.

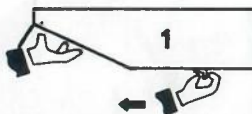
The wire which is coloured blue must be connected to the terminal which is marked with the letter N or coloured black.

The wire which is coloured brown must be connected to the terminal which is marked with the letter L or coloured red.

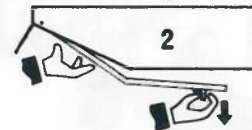
If a 13 amp (BS. 1363) plug is used, a 3 amp fuse must be fitted, or if any other type of plug is used a 5 amp fuse must be fitted either in the plug or adaptor or at the distribution board.

REMOVING AND REPLACING THE GREASE FILTER ASSEMBLY

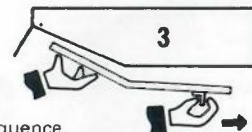
Grasp the Filter Assembly as shown and slide it towards you. This will disengage the locating pins at the back of the assembly.



The back of the Filter will become free so that it can be moved downwards.



When the Filter back is free, move the Assembly away from you to disengage the front edge.



Replacement is done in the reverse sequence.

REMOVING AND REPLACING THE GREASE FILTER ELEMENT



1. Pull the centre rod of the Filter Retainer at the positions and in the direction indicated by the arrows.

2. The Locking Projections will disengage from the Filter Frame. Remove the Filter Retainer and thereafter the Filter Element.
3. Replacement is done in the reverse sequence.

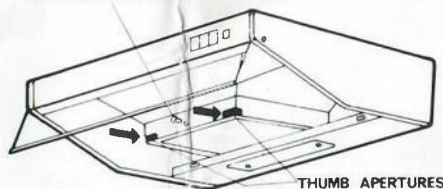
The Filter Element traps grease from the cooking fumes. Remove the Element AT LEAST ONCE A MONTH or more often if you do a lot of frying. Wash it in hot water, just bearable to the hand and containing a little detergent or washing up liquid. Gently squeeze out excess water and allow to dry. Replace when dry.

After approximately 20 washes the Element will need replacement. New Elements can be obtained from your stockist or direct from Creda Electric Limited.

REMEMBER cooking grease is inflammable. A frequency of cleaning as recommended above is essential as a normal safety precaution. Furthermore, a congested Element will reduce the efficiency of the Hood and allow contamination of the Charcoal Filter.

REMOVING AND REPLACING THE CHARCOAL FILTER Models 43961D (600mm) and 43963D (900mm)

CHARCOAL FILTER FIXING SCREW



1. Unplug the Hood from the electric supply.
2. Remove the Charcoal Filter Fixing Screw.
3. Place the thumbs in the Thumb Apertures and press in direction of arrows. The Filter will become free at the front of the Hood enabling it to be removed.
4. Replace in the reverse sequence.
5. NOTE that the Charcoal Filter is contained in a polythene bag for transport only. Remove the bag before fitting and using the filter.

CARE OF THE CHARCOAL FILTER Models 43961D (600mm) and 43963D (900mm)

AFTER MANY MONTHS – between six and eighteen depending on use – the charcoal filter will become less effective in removing cooking smells, and it will be time to recharge it with fresh material, which can be purchased from the dealer who supplied the appliance (or in case of need, direct from us). It will only be necessary to remove the charcoal filter, empty it of the used material and re-fill it, shaking the powder down as it is poured in.

The grade and quality of the Activated Charcoal used will affect the efficiency of your Cooker Hood. For the best results use only genuine Creda refills from your stockist or direct from TI Creda Limited. Before removing the Charcoal Filter unplug the Cooker Hood from the electric supply.

REPLACING THE LIGHT BULB

Remove the Lamp Window Screws. Move the Lamp Window away from you and downwards when it will become free to remove. The normal domestic 40w. lamp is located in the exposed aperture.

CHECKING THE OPERATION OF THE COOKER HOOD

The instruction for use is simply, switch on. The switch marked "light" controls a convenient light within the hood which can be used whether or not the fan is in operation.

Press the switch marked "Fan 2" when a heavy concentration of cooking fumes must be filtered. This gives full speed fan rotation. For normal cooking, press the switch marked "Fan 1". This gives a fan rotation of reduced speed.

When the fan is running a certain amount of noise caused by air turbulence is inevitable.

The Hood is fitted with a transparent plastic Visor the purpose of which is to enlarge the steam and cooking fumes catchment area. When the Hood is in operation adjust the Visor into the hinged forward position. When the Hood is not in use hinge the Visor fully back so that it is conveniently out of the way. Whenever the Fan is in operation the indicator lamp will illuminate.

Use the Creda Hood whenever cooking smells are likely, use it too for jobs like peeling onions (preferably under, or very near to the Hood). Remember to switch on the Cooker Hood before you start to cook.

Try to avoid cross-draughts, which will blow fumes away from the intake. Also remember not to leave gases flaring or hot plates switched on, after you have removed the pans.

CARE OF THE COOKER HOOD PAINTED SURFACES

The hard, white surface is made to be wiped over as often as you wish. Please use a damp cloth, and avoid abrasive cleaners, frequent gentle attention is not only better than occasional hard rubbing but your new possession will always be spick and span.

DUCTED HOODS

If the hood is connected to a duct, the steam and cooking smells will be carried out of the kitchen, after the grease has been removed by the washable filter. This filter should be washed every month.

Charcoal filtration is unnecessary for ducted hoods, and to obtain the full rate of air-flow through the hood, the Charcoal filter should be taken out, emptied of its charcoal granules, and the empty filter-frame replaced in the hood to act as a safety guard for the fan-blades.

Remember to replace the central fixing screw and washer.